

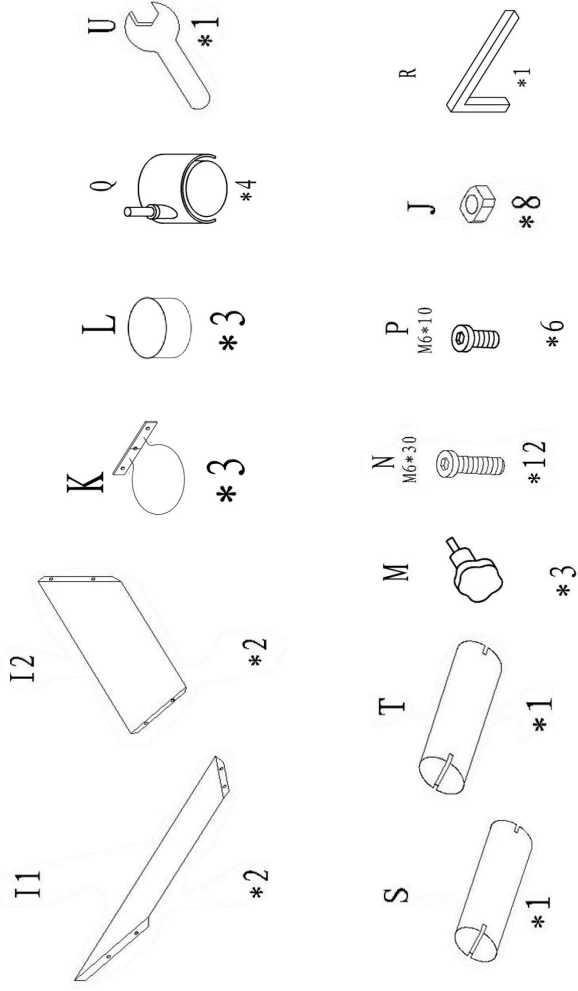
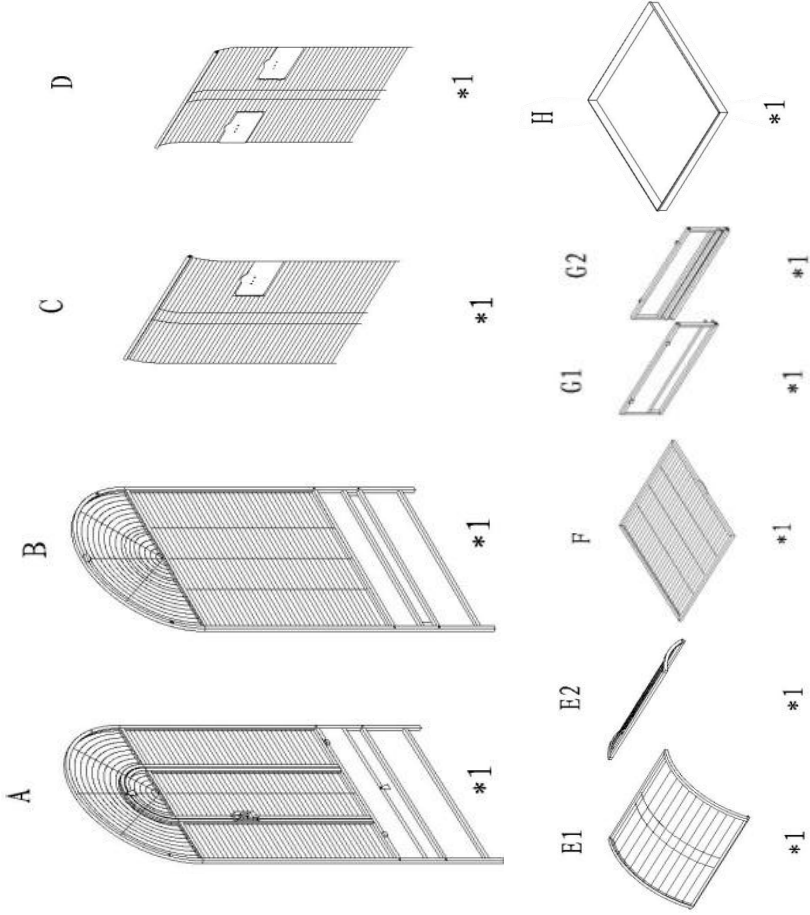


Liberta Cortes

Liberta CORTES Assembly Instructions

You should have:

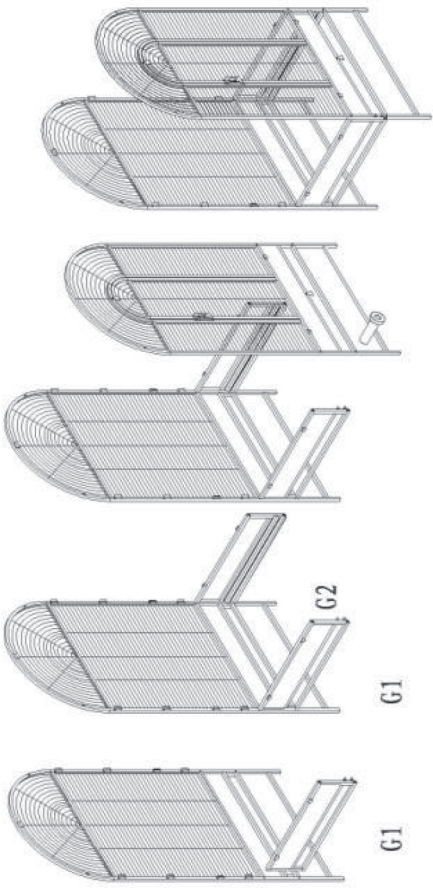
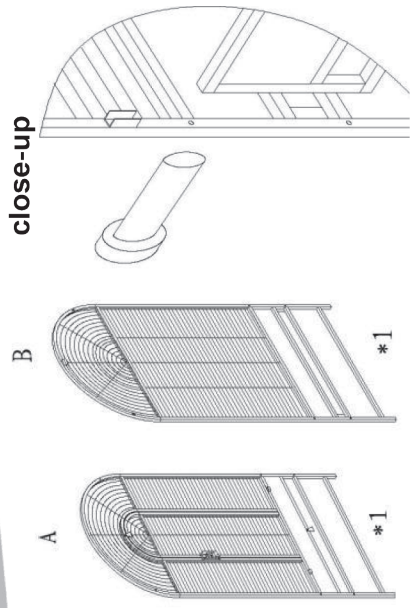
All Assembly parts of CORTES Cage Shown for your reference



- A. front wire mesh
 - B. back wire mesh
 - C. left side mesh
 - D. right side mesh
 - E1. left top wire mesh (with Pin)
 - E2. right top wire mesh (with lock)
 - F. grill
 - G1. left connector
 - G2. right connector
 - H. metal tray
 - I1. length seed guard piece
 - I2. short seed guard piece
 - M. handle of door
 - N. screw (dia=6mm L=30mm)
 - P.screw (dia=6mm L=10mm)
 - K. cup holder
 - J. Nut
 - U. hexagon wrench
 - S. perch(short one)
 - T. perch(top open length one)
 - Q. wheels
 - L .steel cup
 - R. wrench (screw all bolts)
- It is recommended that two people assemble this cage

Step 1

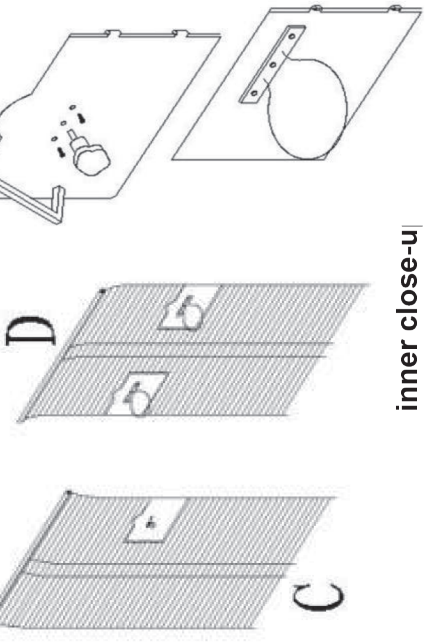
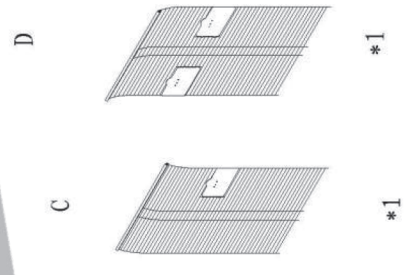
- G1 *1
- G2 *1
- N M6*30 *8



Fix G1 and G2 onto back mesh B, and then fix the other end of G1 and G2 to front mesh A, screw with 8 of N (slipway inward on G1&G2)

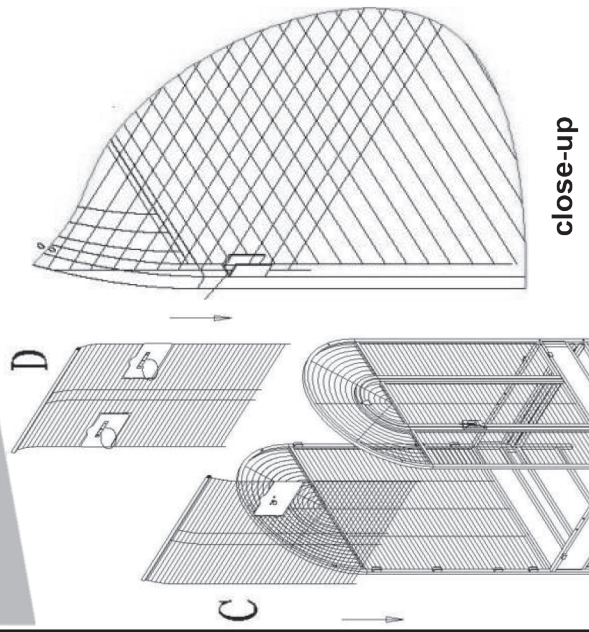
Step 2

- P M6*10 *6
- K *3
- M *3



outer close-up
 inner close-up
 Fix 3 of K onto C&D separately, then screw them with 6 of P and 3 of M (position as drawing)

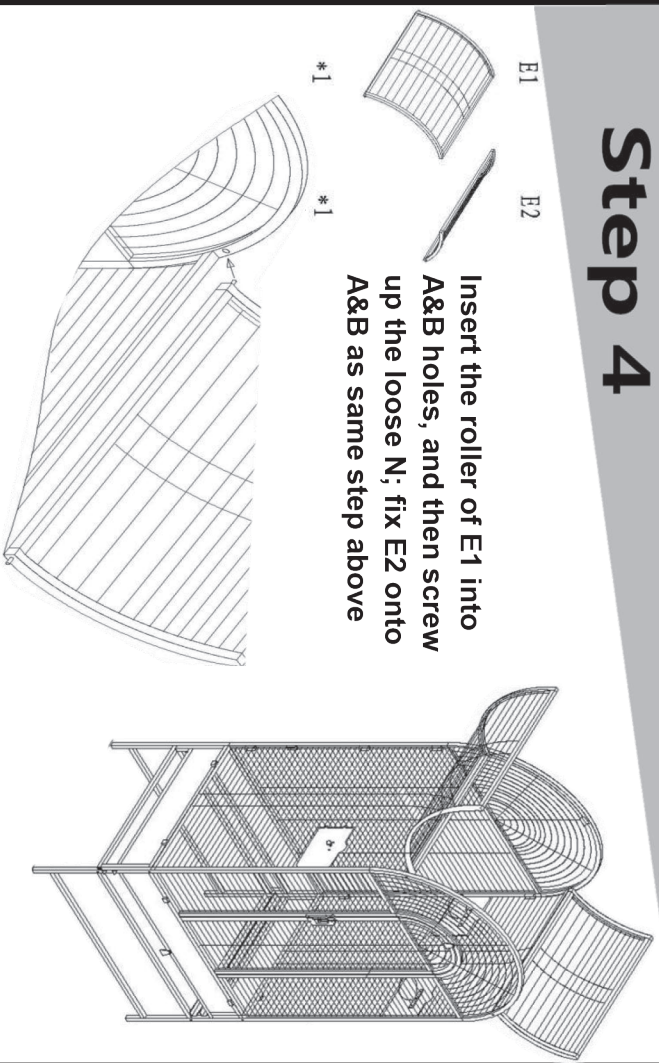
Step 3



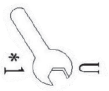
close-up
 Slide panel C&D into both sides of the cage along with chute(bars into holes at bottom) ; insert 4 of N into the hole on A&B as drawing position, pls keep this screw loose, not screw to be continue...

Step 4

Insert the roller of E1 into A&B holes, and then screw up the loose N; fix E2 onto A&B as same step above



Step 5



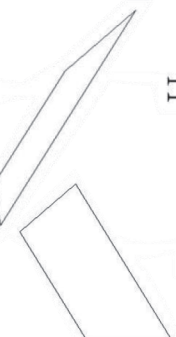
R



J

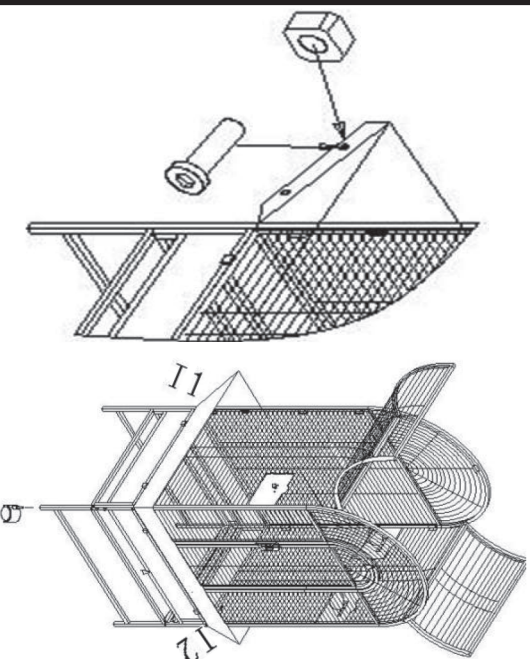


P



I1

I2

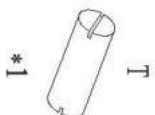


Put two protruding parts of I1 & I2 into cage body's holes, then keep holes on border of I1&I2 aline, meanwhile insert P into the holes, screw up with J on other side(as close-up); finally insert wheels Q into the 4 holes of cage legs

Step 6



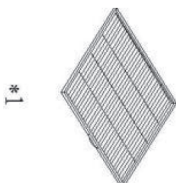
S



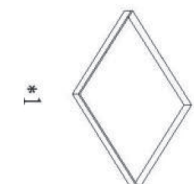
T



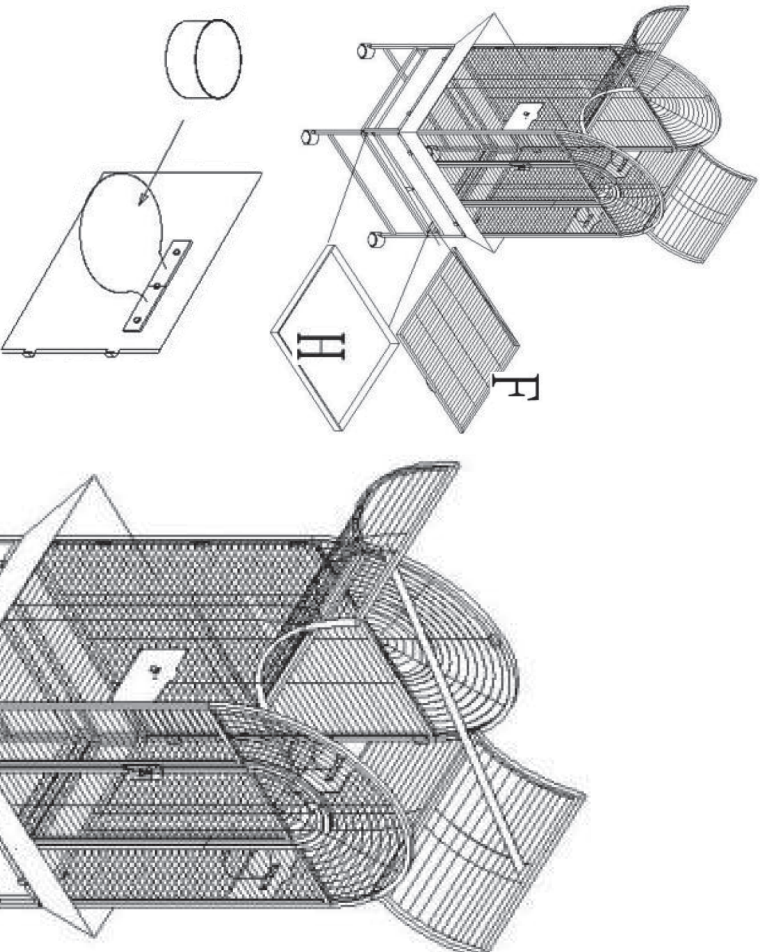
L



F



H



Insert F&H into the position as drawing; put three cups on holders as close-up; fix perch S into the middle of the cage body, Put perch T when you open the top.

Finished cage!