



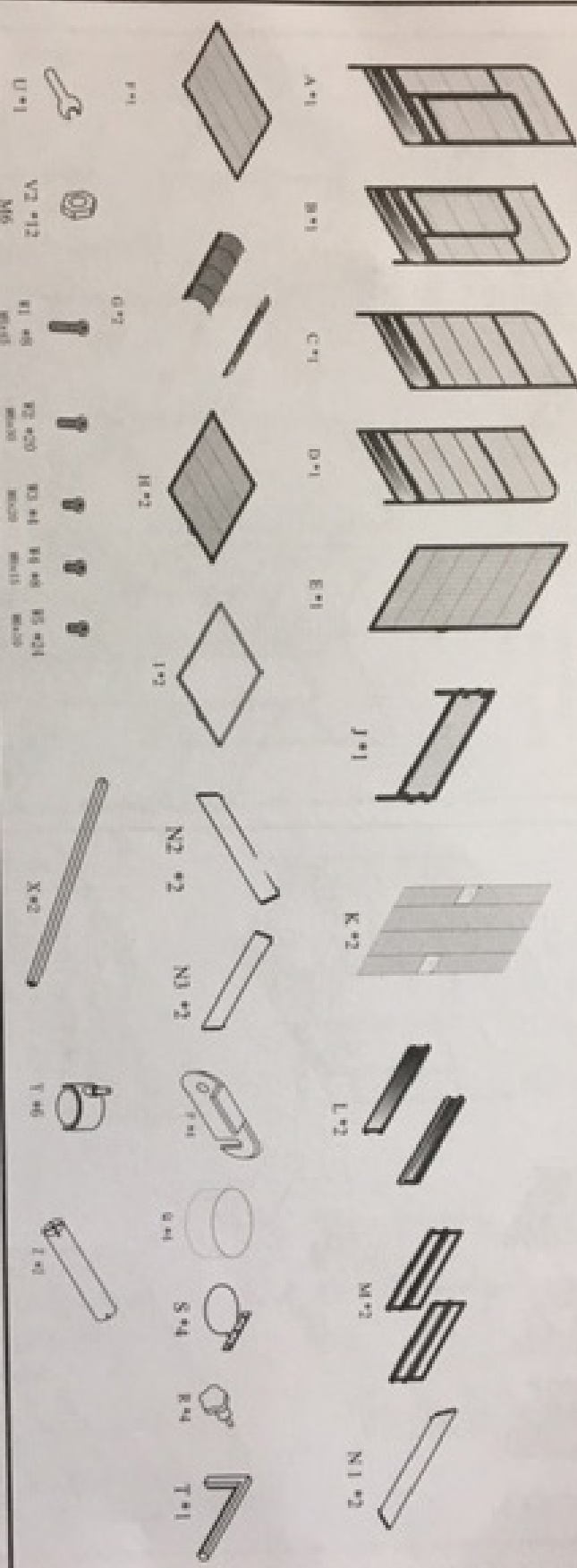
Liberta Endeavour



Liberta ENDEAVOR Assembly Instructions

You should have:

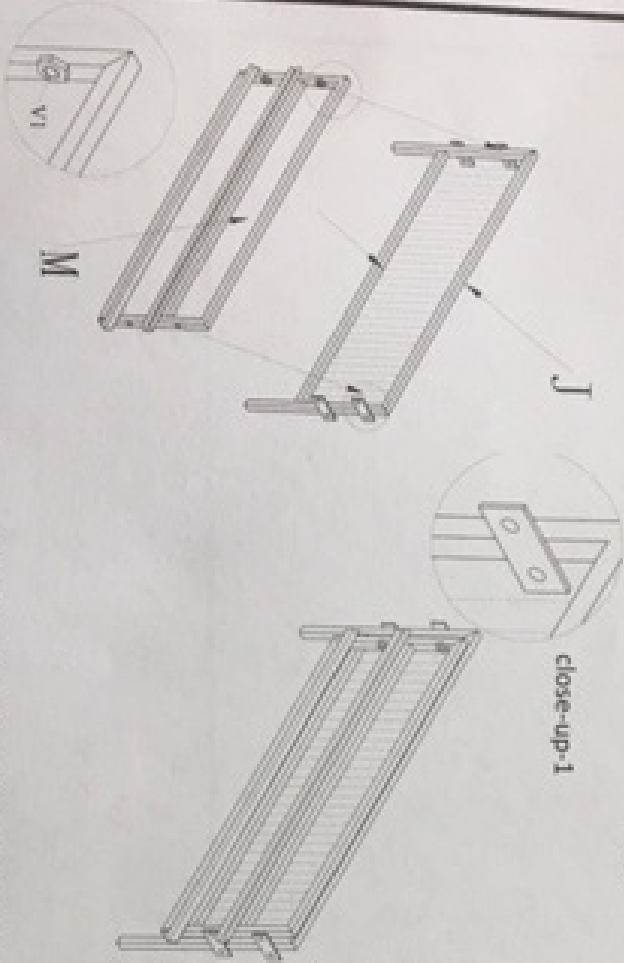
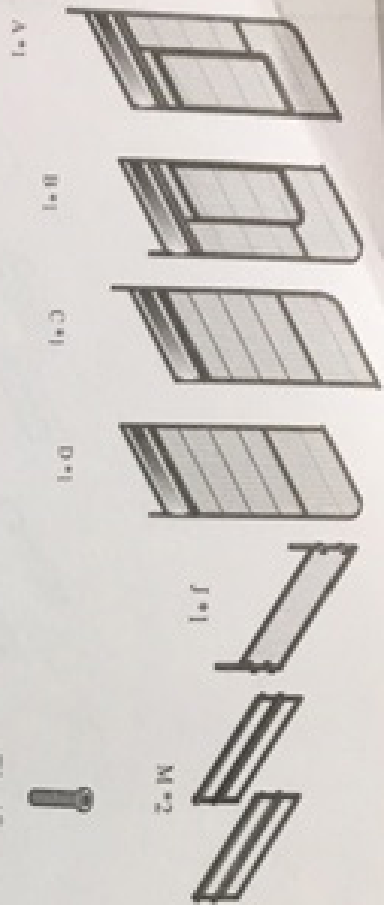
All Assembly parts of ENDEAVOR Cage Shown for your reference



- A. left front wire mesh
- B. right front wire mesh
- C. left back wire mesh
- D. right back wire mesh
- E. middle divider between two parts in cage
- F. top wire mesh
- X. connect frame in cage body
- G. shoulder wire mesh
- H. grill
- I. metal tray
- J. main frame
- K. side wire mesh
- L. connection frame on both sides
- M. screw (fix on J)
- N1. side seed guard (98x15cm)
- N2. front/back seed guard (90. 6x15cm)
- N3. front/back seed guard (90. 6x15cm)
- O. lock for divider of E
- P. lock for divider of E
- Q. cup
- R. handle of door
- S. cup holder
- T. wheel Z. perch
- U. hexagon wrench V2. nut (diameter)
- W1. screw(diameter L=5mm)
- W2. screw(diameter L=10mm)
- W3. screw(diameter L=20mm)
- W4. screw(diameter L=15mm)

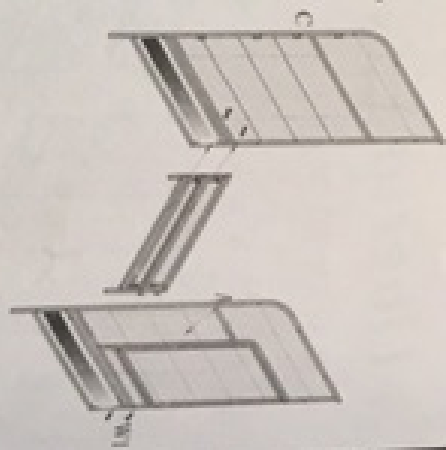
It is recommended that two or three people assemble this cage

Step 1



Put Frame M inside the baffle of J (close-up-1), make holes aline and hold on

meanwhile put A in front as drawing, then insert 2 of W1 into the holes of A, J, M together and screw them up; fix panel C as same step above. (position as drawing's shown)

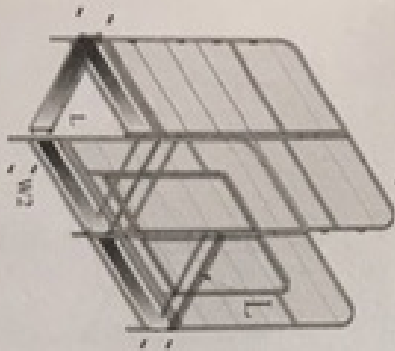
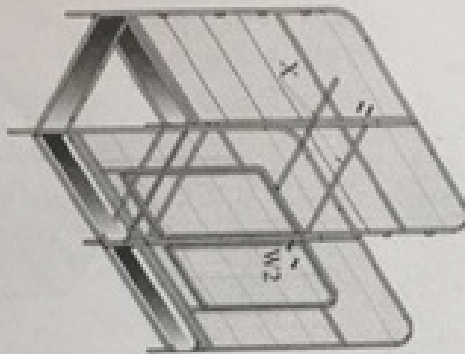
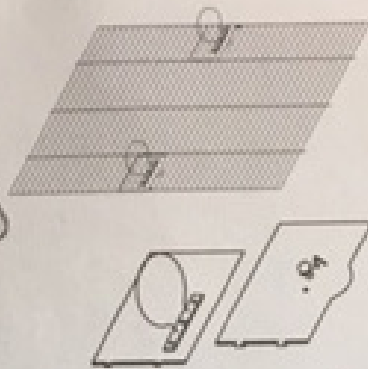


Put the second piece M into other side of J and hold on, meanwhile insert panel D into C(close-up), then screw D, J, M together with 2 of W1; fix panel B to A as same step above, screw B, J, M with 2 of W1.

Step 2

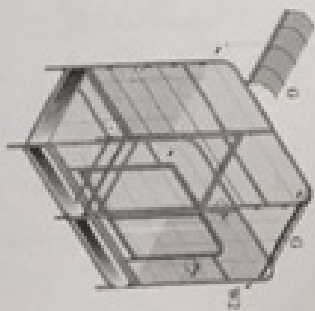
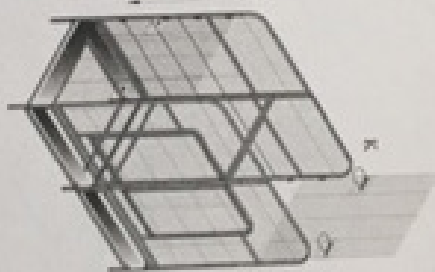


Fix 4 of S onto 2 of K separately, then screw them with 4 of R and 8 of W5. (Position as shown)



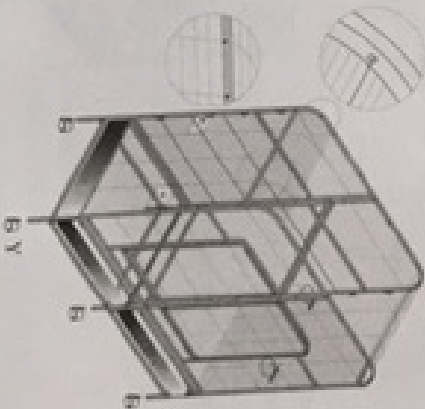
Connect 2 of L (hole upwards) to A&C, B&D with 8 of W2 separately, and then connect 2 of X to A&C, B&D with 4 of W2. (Position as drawing, the hole is same the level to door frame)

Step 3

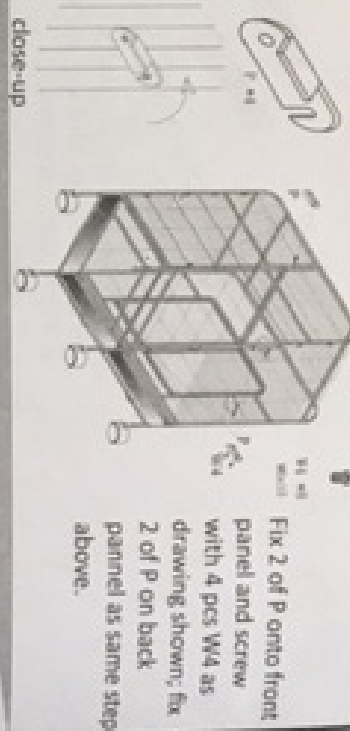
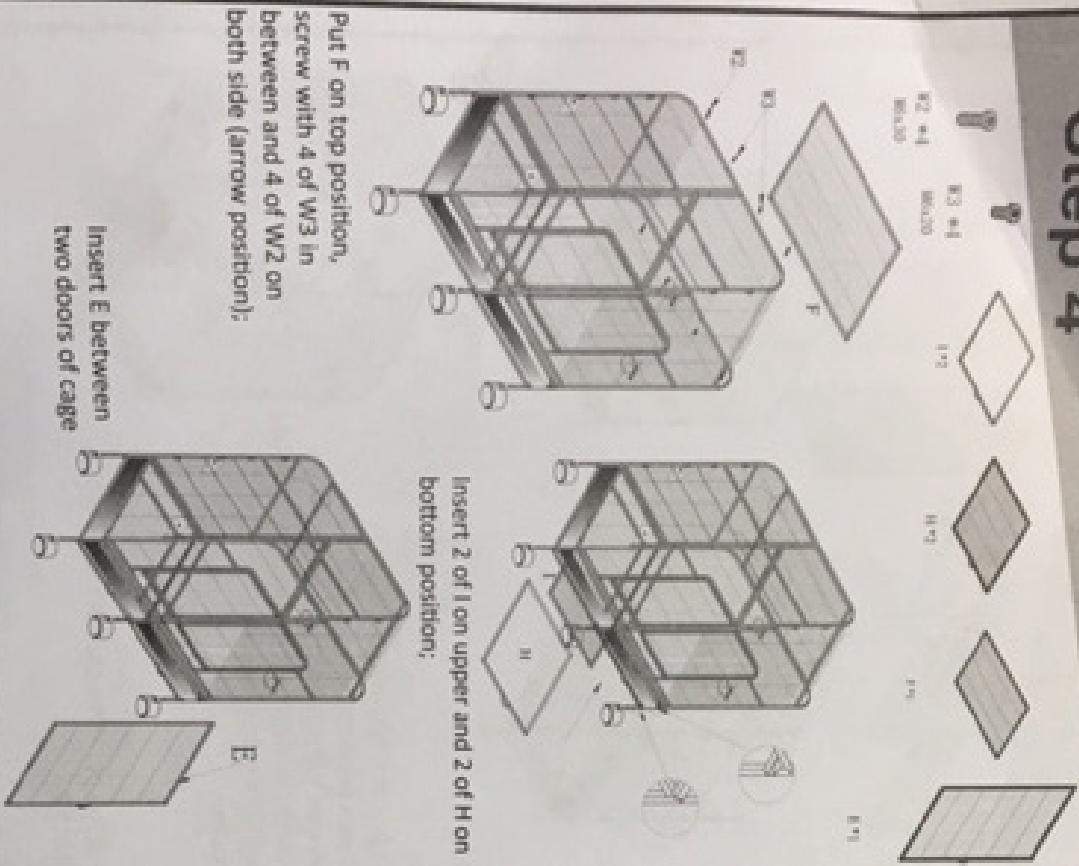


Slide 2 of K into hole of L as shown position; put cristaate wire on K (2pcs) into holes of G (2pcs) separately, then screw with 4 of W2 on shoulder position

Insert 6 pcs Y into the hole of cage leg.



Step 4



Step 5

